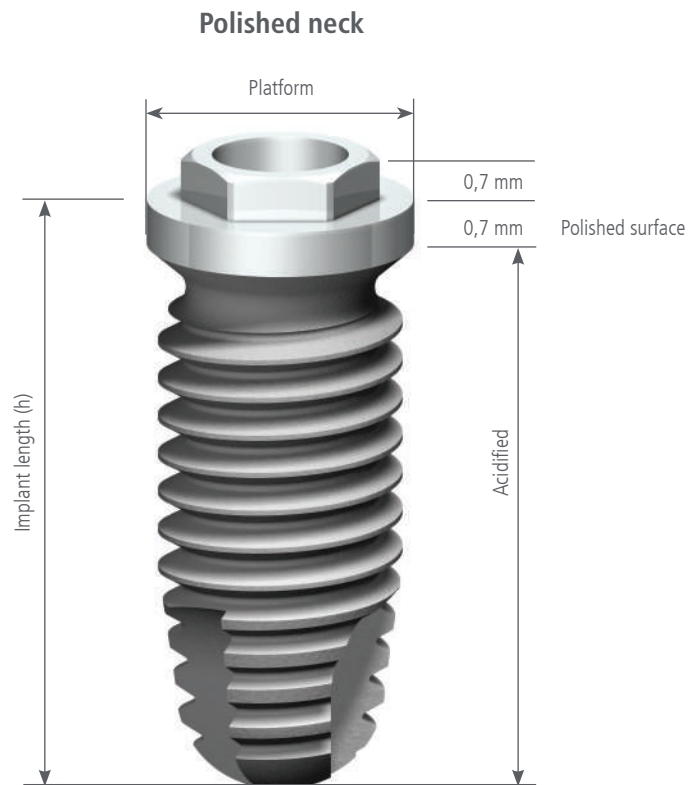


IMPLUS Cylindrical External hex.



	Implant Ø3,3 mm	Implant Ø3,75 mm	Implant Ø5,0 mm
External hex. length	0,7 mm	0,7 mm	0,7 mm
Core ø	2,6 mm	3,0 mm	4,0 mm
Apex ø	1,8 mm	2,3 mm	3,45 mm
Thread pitch	0,6 mm	0,6 mm	0,75 mm
Implant length (h)	Code	Code	Code
8,0 mm	//	01IX3708	01IX5008
10,0 mm	01IX3310	01IX3710	01IX5010
11,5 mm	01IX3311	01IX3711	01IX5011
13,0 mm	01IX3313	01IX3713	01IX5013
16,0 mm	01IX3316	01IX3716	//