

4

IMPLUS Nano



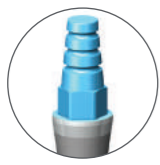
Implants



Dental implants are often the best treatment for missing teeth. When a damaged or decayed tooth is removed, both the visible part of the tooth called the crown, and the root is lost. A dental implant is placed in the jawbone so that it can fuse with the natural bone and become a strong sturdy foundation for replacing teeth. Implants can be used to replace a single tooth, bridges or dentures. Dental implants are the closest reproduction you can get to healthy, natural teeth. They will allow the patient to eat confidently, smile, laugh, talk, play and enjoy all the regular activities of everyday life without thinking about teeth.

Nano implants are mainly used to stabilize the dentures but can also be used to support a crown where the patient has lost the tooth. The insertion procedure is minimally invasive, often transmucosal (without having to affect the gums), immediate loading and also suitable for elderly people who badly would undergo a real oral surgery. In general, even those who do not have enough bone to insert the standards, the largest dental implants, can safely undergo the insertion of the Nano implants, since they require a much lower quantity of bone than the preceding ones. The reduced diameter implants, are therefore suitable in the case of bone atrophy (when the amount of bone in the implantologist available is not sufficient for larger diameter implants), often without the need for bone grafting or sinus lift. Persons wearing dentures know very well that this type of denture, after some time, may lose the initial stability. While chewing, small pieces of food insinuate between the gums and the flange (gingival) causing pain. During a conversation, the mobility of the prosthesis makes the pronunciation of certain letters difficult, such as S and F, and very often carriers emit hisses during phonation. Nano implants can solve all these problems by making the dentures firmly in the mouth while ensuring the patient a chance to remove it whenever he feels the need, or for daily oral hygiene.

LEADER Italias Nano implants are available in IMPLUS version only.
The range includes different diameters: \varnothing 2,3 mm – \varnothing 2,7 mm – \varnothing 3,2 mm and different heights: h 10,0 mm – h 11,5 mm – h 13,0 mm – h 16,0 mm.
For this kind of implants, dedicated prosthetic parts are provided.



IMPLUS Nano 2/Nano 3 - Packaging



- Packaging in compliance with ISO 11607-1 and 2
- Sterilization by gamma rays 25 kGy
- Sterility guaranteed for 5 years by waterproof double packaging in airtight sealed glass vial and blister



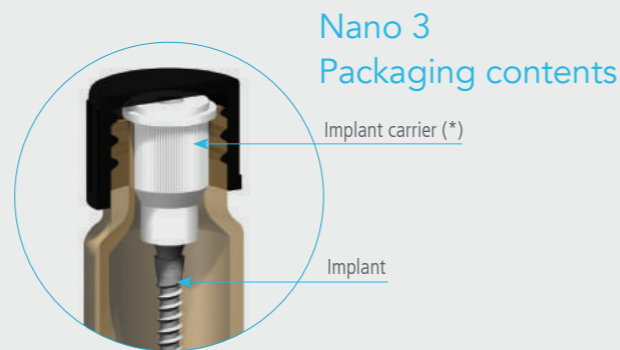
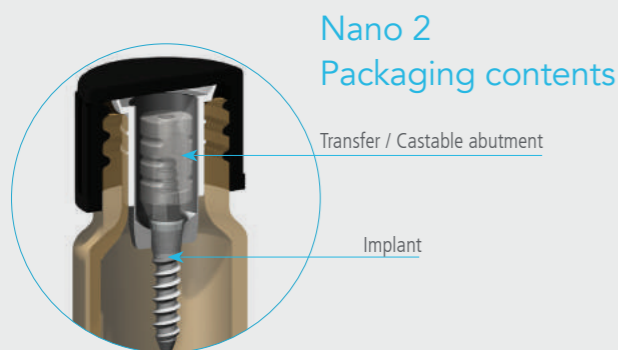
The castable mount-transfer is included in the packaging.

ONLY FOR CODE 01IN2...

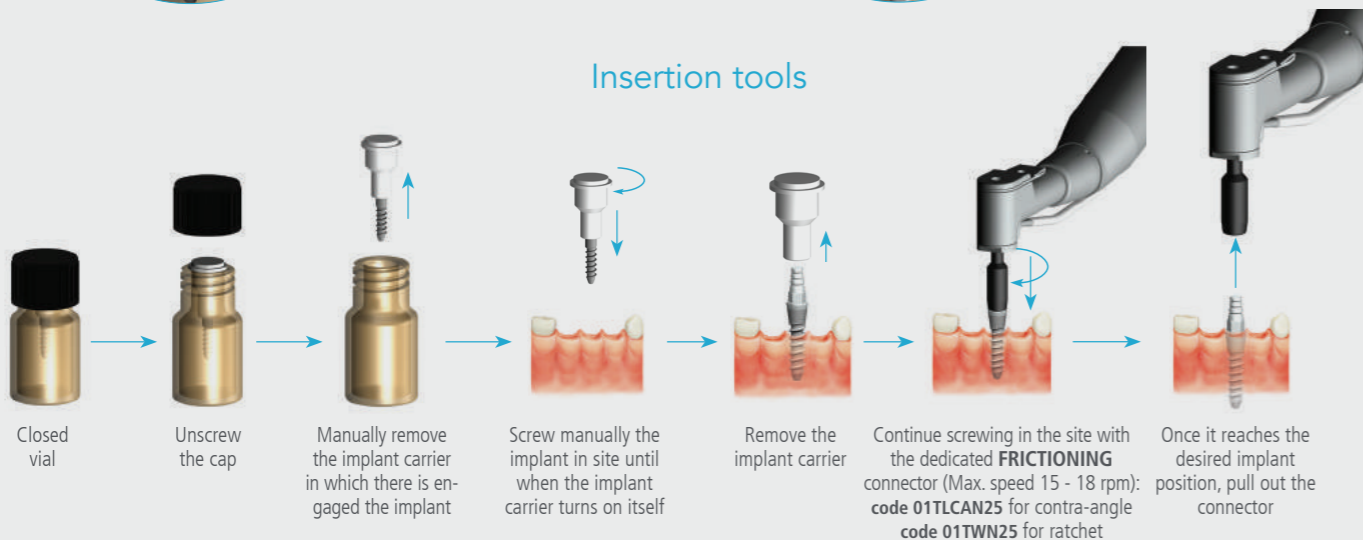
Features

- Self-threading grade 5 titanium fixture
- Transmucosal one-piece fixture
- Micro-roughened surface (B.O.A.T. treatment)
- Nitrided upper part

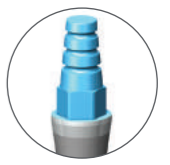
- They are suitable for the immediate loading: this means that, at the end of the surgical procedure performed in a single phase, the patient can leave the dental office with a temporary fixed prosthesis



Insertion tools



(*) The implant carrier is used to screw the implant into the site in the first step. When the implant carrier begins to turn on itself, continue screwing in the site with the dedicated connector.

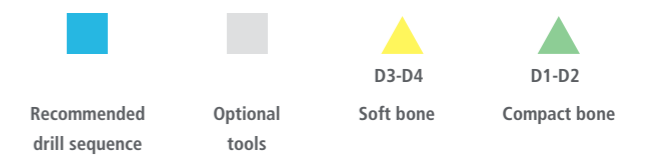


Surgical protocol

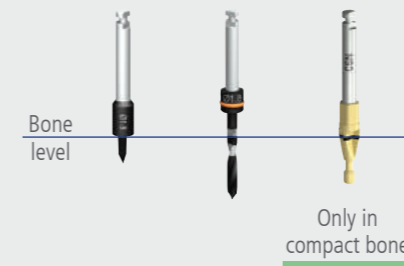
Recommended first preparation

| | |
|-----------|----------------|
| Tools | Cortical drill |
| Code | 05DSP18 |
| Ø(mm) | 1,8 |
| Max (rpm) | 800 |

LEGEND



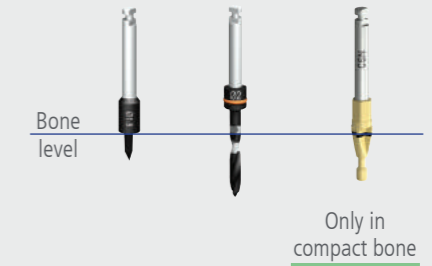
Surgical protocol step by step for implant Ø 2,3 mm



| | | | |
|-----------|----------------|-------------------|-------------|
| Tools | Cortical drill | Twist drill UNICA | Countersink |
| Code | 05DSP18 | 05DSS18S | 01CSN |
| Ø(mm) | 1,8 | 1,8 | 3,5 |
| Max (rpm) | 800 | 800 | 250 |



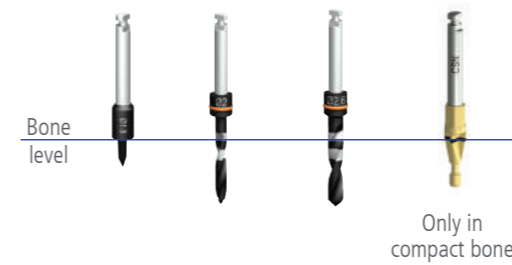
Surgical protocol step by step for implant Ø 2,7 mm



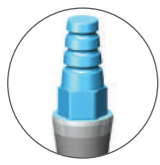
| | | | |
|-----------|----------------|-------------------|-------------|
| Tools | Cortical drill | Twist drill UNICA | Countersink |
| Code | 01DSP18 | 01DSS20S | 01CSN |
| Ø(mm) | 1,8 | 2,0 | 3,5 |
| Max (rpm) | 800 | 800 | 250 |



Surgical protocol step by step for implant Ø 3,2 mm

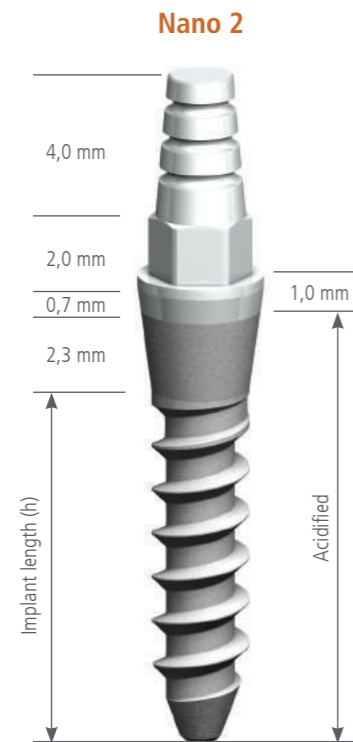


| | | | | |
|-----------|----------------|-------------------|-------------------|-------------|
| Tools | Cortical drill | Twist drill UNICA | Twist drill UNICA | Countersink |
| Code | 05DSP18 | 05DSS20S | 05DSS26S | 01CSN |
| Ø(mm) | 1,8 | 2,0 | 2,6 | 3,5 |
| Max (rpm) | 800 | 800 | 500 | 250 |



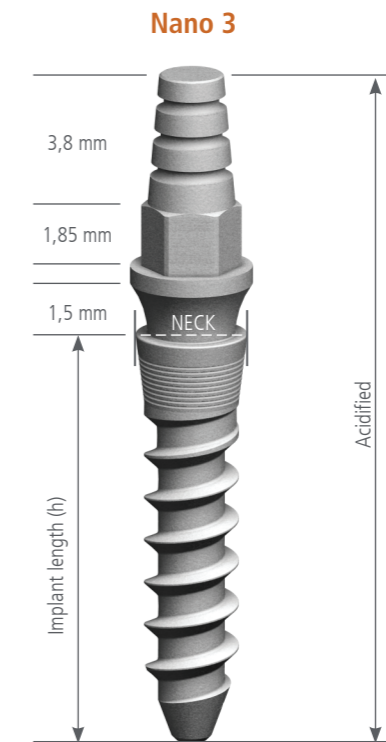
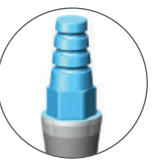
IMPLUS Nano

for fixed prosthesis



IMPLUS Nano

for fixed prosthesis



3.5

Platform



| | Implant Ø2,3 mm | Implant Ø2,7 mm | Implant Ø3,2 mm |
|--------------------|-----------------|-----------------|-----------------|
| Thread pitch | 0,95 mm | 1,25 mm | 1,25 mm |
| Tapered apex | Tapered apex | Tapered apex | Tapered apex |
| Implant length (h) | Code | Code | Code |
| 10,0 mm | 01IN22310 | 01IN22710 | 01IN23210 |
| 11,5 mm | 01IN22311 | 01IN22711 | 01IN23211 |
| 13,0 mm | 01IN22313 | 01IN22713 | 01IN23213 |
| 16,0 mm | 01IN22316 | 01IN22716 | 01IN23216 |

3.5

Platform



| | Implant Ø2,3 mm | Implant Ø2,7 mm | Implant Ø3,2 mm |
|--------------------|-----------------|-----------------|-----------------|
| Thread pitch | 0,95 mm | 1,25 mm | 1,25 mm |
| Tapered apex | Tapered apex | Tapered apex | Tapered apex |
| Neck | Ø 3.0 | Ø 3.2 | Ø 3.7 |
| Implant length (h) | Code | Code | Code |
| 10,0 mm | 01IN32310 | 01IN32710 | 01IN33210 |
| 11,5 mm | 01IN32311 | 01IN32711 | 01IN33211 |
| 13,0 mm | 01IN32313 | 01IN32713 | 01IN33213 |
| 16,0 mm | 01IN32316 | 01IN32716 | 01IN33216 |