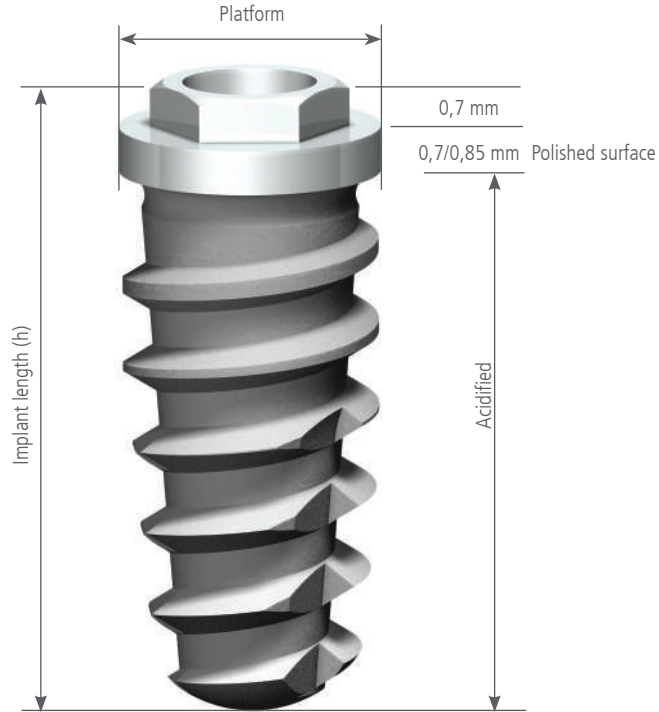


IMPLUS Tapered External hex.

Polished neck
wide thread



4.1

Platform



5.0

Platform



	Implant Ø4,0 mm	Implant Ø5,0 mm
Internal hex. length	0,7 mm	0,7 mm
Body	Gradually tapered	Gradually tapered
Thread pitch	1,3 mm	1,6 mm
Tapered apex	2,25 mm	2,75 mm
Neck	0,7 mm	0,85 mm
Implant length (h)	Code	Code
8,0 mm	01ICX4008	01ICX5008
10,0 mm	01ICX4010	01ICX5010
11,5 mm	01ICX4011	01ICX5011
13,0 mm	01ICX4013	01ICX5013
16,0 mm	01ICX4016	//